

Surface Mount Rectifiers

M3--M7

Features

- Glass passivated junction
- For surface mounted applications
- Ideal for automated placement
- Low forward voltage drop
- High surge current capability
- RoHS Compliant



Mechanical Data

- Case: SMA molded plastic
- Molding compound, UL flammability classification rating 94V-0
- Terminals: Solder plated, solderable per MIL-STD-202, Method 208
- Polarity: Color band denotes cathode end

Maximum Ratings (@T_A = 25°C unless otherwise specified)

| Characteristic | Symbol | M3 | M4 | M5 | M6 | M7 | Units |
|---|--|-----|-----|-----|-----|------|-------|
| Peak repetitive reverse voltage | V _{RRM} | 200 | 400 | 600 | 800 | 1000 | V |
| RMS reverse voltage | V _{RMS} | 140 | 280 | 420 | 560 | 700 | V |
| DC blocking voltage | V _{DC} | 200 | 400 | 600 | 800 | 1000 | V |
| Maximum average forward output current | I _{F(AV)} | 1.0 | | | | | A |
| Peak forward surge current, 8.3ms single half-sine-wave | @T _J = 25°C I _{FSM} | 30 | | | | | A |

Thermal Characteristics

| Parameter | Symbol | M3 | M4 | M5 | M6 | M7 | Units |
|--|------------------|-----------------|----|----|----|----|-------|
| Typical thermal resistance (Note 1) | R _{θJA} | 70 | | | | | °C /W |
| | R _{θJC} | 25 | | | | | |
| | R _{θJL} | 30 | | | | | |
| Operating junction temperature range | T _J | - 55 ---- + 150 | | | | | °C |
| Storage temperature range | T _{STG} | - 55 ---- + 150 | | | | | °C |

Note:

1. Device mounted on PCB with 10 mm x 20 mm x 0.1mm copper pad areas

Surface Mount Rectifiers

M3--M7

Electrical Characteristics (@T_A = 25°C unless otherwise specified)

| Parameter | Symbol | Test conditions | | Typ. | Max. | Units |
|---------------------------------------|----------------|----------------------|------------------------|------|------|-------|
| Maximum instantaneous forward voltage | V _F | I _F =1.0A | | -- | 1.1 | V |
| Maximum Reverse current | I _R | Rated V _R | @T _A =25°C | -- | 5 | μA |
| | | | @T _A =125°C | -- | 50 | |

Surface Mount Rectifiers

M3--M7

Ratings and Characteristic Curves ($T_A=25^\circ\text{C}$ unless otherwise noted)

Fig.1-Forward Current Derating Curve

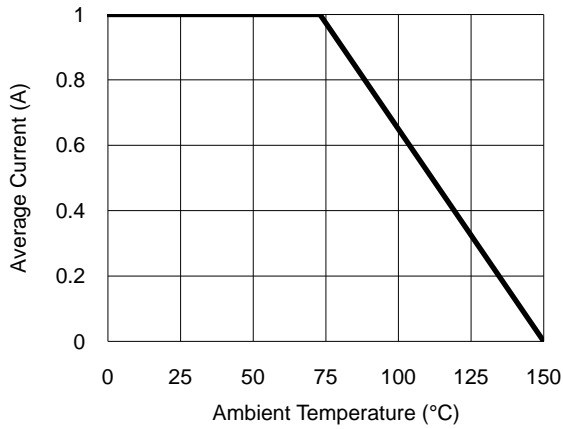


Fig.2- Surge Current Derating Curve

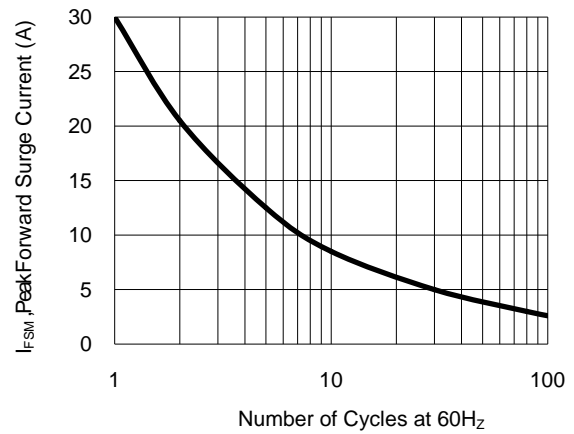


Fig.3- Typical Forward Voltage Characteristic

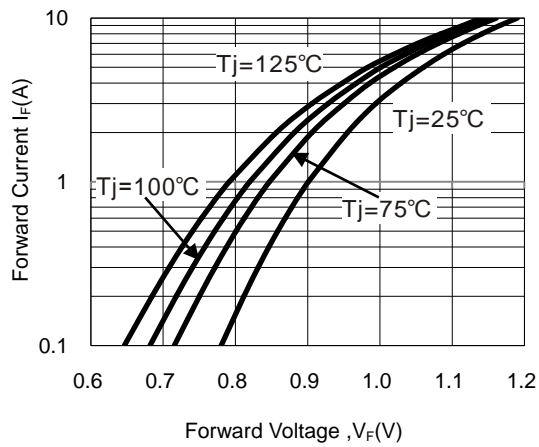
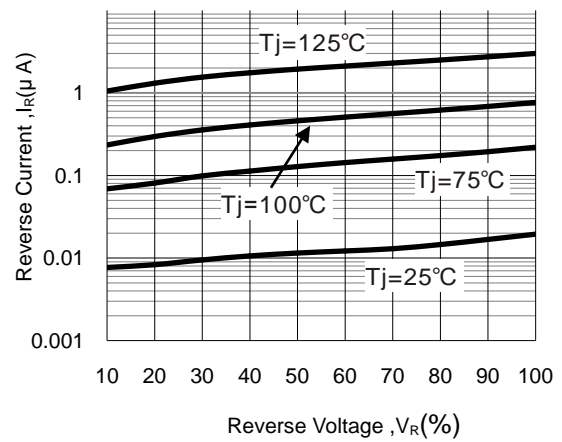


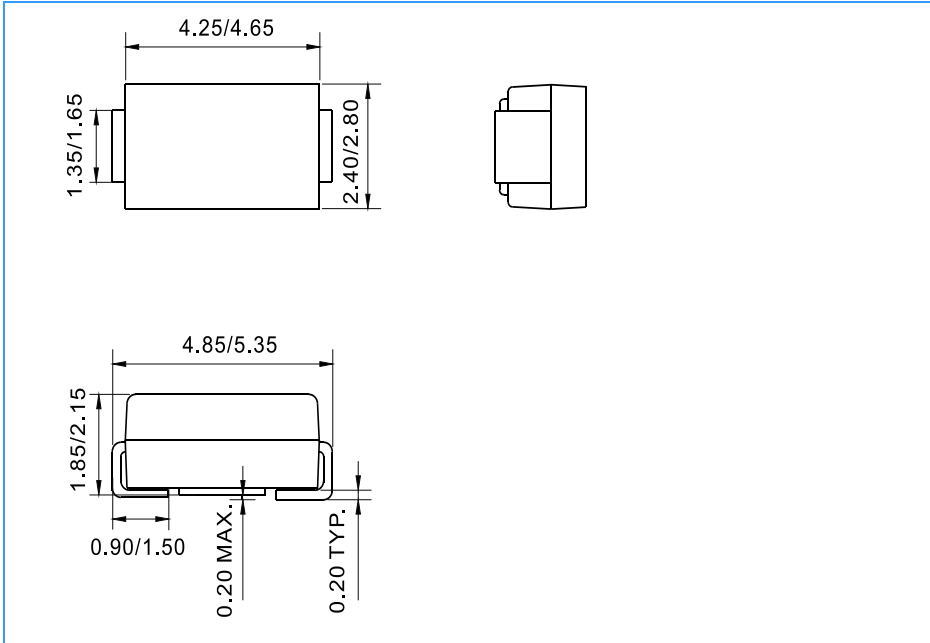
Fig.4- Typical Reverse Characteristic



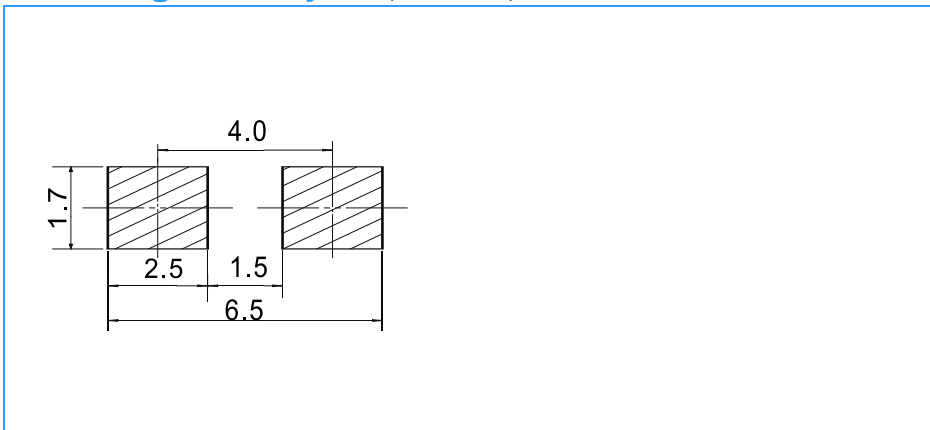
Surface Mount Rectifiers

M3--M7

Package Outline Dimensions(unit:mm)



Mounting Pad Layout(unit:mm)



Ordering Information

| Part No. | Marking | Package | Shipping |
|----------|---------|---------|-----------------|
| M3 | M3 | SMA | 5000 /Tape&Reel |
| M4 | M4 | SMA | 5000 /Tape&Reel |
| M5 | M5 | SMA | 5000 /Tape&Reel |
| M6 | M6 | SMA | 5000 /Tape&Reel |
| M7 | M7 | SMA | 5000 /Tape&Reel |