

# Surface Mount Rectifiers

2R20A

## Features

- For surface mounted applications
- Low profile package
- Low forward voltage drop
- High surge current capability
- RoHS Compliant



## Mechanical Data

- Case: SMA molded plastic
- Molding compound, UL flammability classification rating 94V-0
- Terminals: Solder plated, solderable per MIL-STD-202, Method 208
- Polarity: Color band denotes cathode end

## Maximum Ratings (@T<sub>A</sub> = 25°C unless otherwise specified)

Characteristic	Symbol	2R20A	Units
Peak repetitive reverse voltage	V <sub>RRM</sub>	2000	V
RMS reverse voltage	V <sub>RMS</sub>	1400	V
DC blocking voltage	V <sub>DC</sub>	2000	V
Maximum average forward output current	I <sub>F(AV)</sub>	2.0	A
Peak forward surge current, 8.3ms single half-sine-wave	@T <sub>J</sub> = 25°C I <sub>FSM</sub>	40	A

## Thermal Characteristics

Parameter	Symbol	2R20A	Units
Typical thermal resistance (Note 1)	R <sub>θJA</sub>	70	°C /W
	R <sub>θJC</sub>	25	
	R <sub>θJL</sub>	30	
Operating junction temperature range	T <sub>J</sub>	- 55 ---- + 125	°C
Storage temperature range	T <sub>STG</sub>	- 55 ---- + 150	°C

Note:

1. Device mounted on PCB with 10 mm x 20 mm x 0.1mm copper pad areas

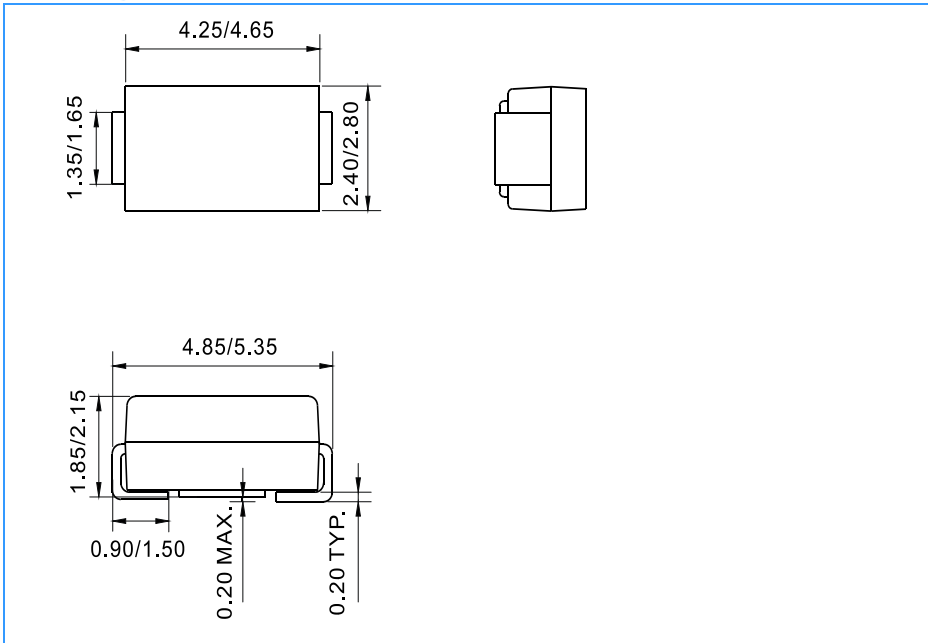
**Surface Mount Rectifiers****2R20A****Electrical Characteristics** (@ $T_A = 25^\circ\text{C}$  unless otherwise specified)

Parameter	Symbol	Test conditions	Typ.	Max.	Units
Maximum instantaneous forward voltage	$V_F$	$I_F=2.0\text{A}$	--	1.1	V
Maximum Reverse current	$I_R$	Rated $V_R$	@ $T_A=25^\circ\text{C}$	10	$\mu\text{A}$
			@ $T_A=100^\circ\text{C}$	250	

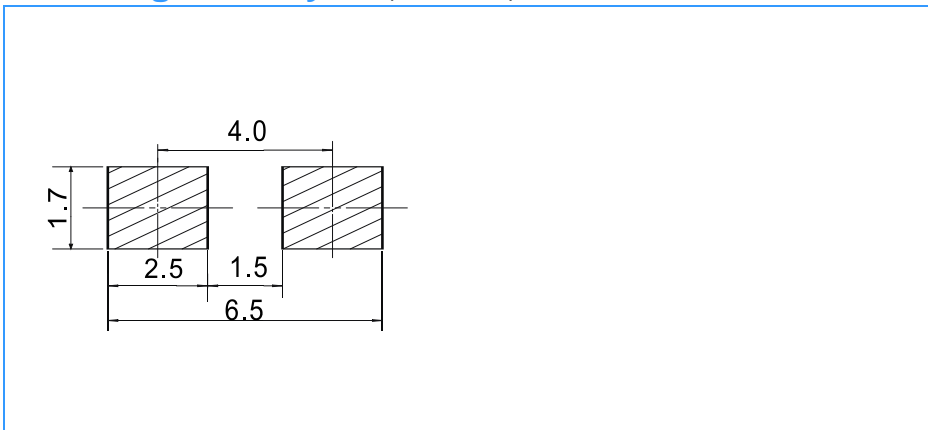
## Surface Mount Rectifiers

2R20A

### Package Outline Dimensions(unit:mm)



### Mounting Pad Layout(unit:mm)



### Ordering Information

Part No.	Marking	Package	Shipping
2R20A	2R20A	SMA	5000/Tape&Reel