

# Surface Mount Silicon Rectifiers

## S2DF--S2MF

### Features

- For surface mounted applications
- Low profile package
- Low forward voltage drop
- High surge current capability
- RoHS Compliant



### Mechanical Data

- Case: SMAF molded plastic
- Molding compound, UL flammability classification rating 94V-0
- Terminals: Solder plated, solderable per MIL-STD-202, Method 208
- Polarity: Color band denotes cathode end

### Maximum Ratings (@T<sub>A</sub> = 25°C unless otherwise specified)

Characteristic	Symbol	S2DF	S2GF	S2JF	S2KF	S2MF	Units
Peak repetitive reverse voltage	V <sub>RRM</sub>	200	400	600	800	1000	V
RMS reverse voltage	V <sub>RMS</sub>	140	280	420	560	700	V
DC blocking voltage	V <sub>DC</sub>	200	400	600	800	1000	V
Maximum average forward output current	I <sub>F(AV)</sub>	2.0					A
Peak forward surge current, 8.3ms single half-sine-wave	@T <sub>J</sub> = 25°C I <sub>FSM</sub>	50					A

### Thermal Characteristics

Parameter	Symbol	S2DF	S2GF	S2JF	S2KF	S2MF	Units
Typical thermal resistance (Note 1)	R <sub>θJA</sub>	78					°C /W
	R <sub>θJC</sub>	18					
	R <sub>θJL</sub>	20					
Operating junction temperature range	T <sub>J</sub>	- 55 ---- + 150					°C
Storage temperature range	T <sub>STG</sub>	- 55 ---- + 150					°C

Note:

1. Device mounted on PCB with 10 mm x 20 mm x 0.1mm copper pad areas

# Surface Mount Silicon Rectifiers

## S2DF--S2MF

### Electrical Characteristics (@T<sub>A</sub> = 25°C unless otherwise specified)

Parameter	Symbol	Test conditions		Typ.	Max.	Units
Maximum instantaneous forward voltage	V <sub>F</sub>	I <sub>F</sub> =2.0A		--	1.15	V
Maximum Reverse current	I <sub>R</sub>	Rated V <sub>R</sub>	@T <sub>A</sub> =25°C	--	5	μA
			@T <sub>A</sub> =125°C	--	125	

# Surface Mount Silicon Rectifiers

# S2DF--S2MF

## Ratings and Characteristic Curves ( $T_A=25^\circ\text{C}$ unless otherwise noted)

Fig.1-Forward Current Derating Curve

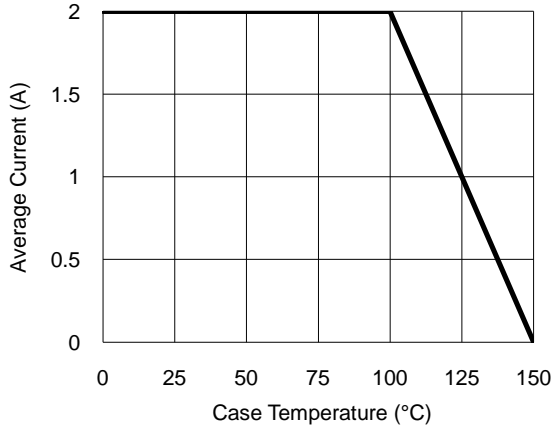


Fig.2- Surge Current Derating Curve

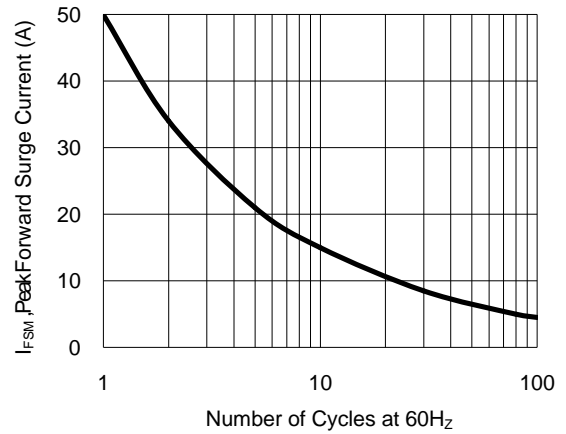


Fig.3- Typical Forward Voltage Characteristic

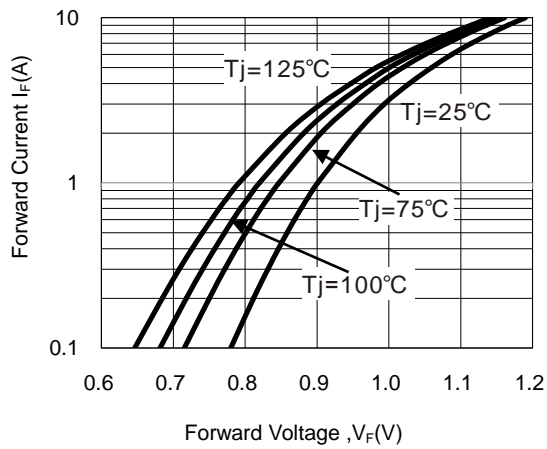
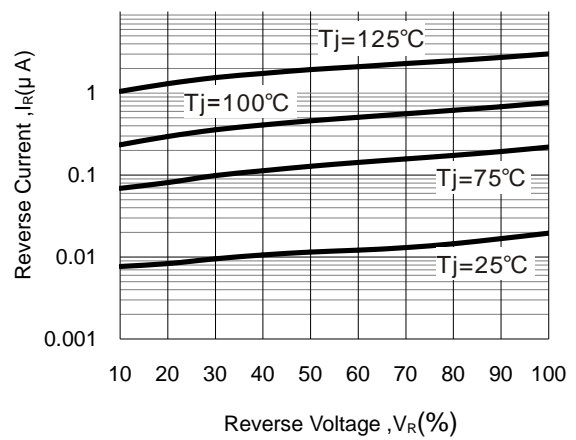


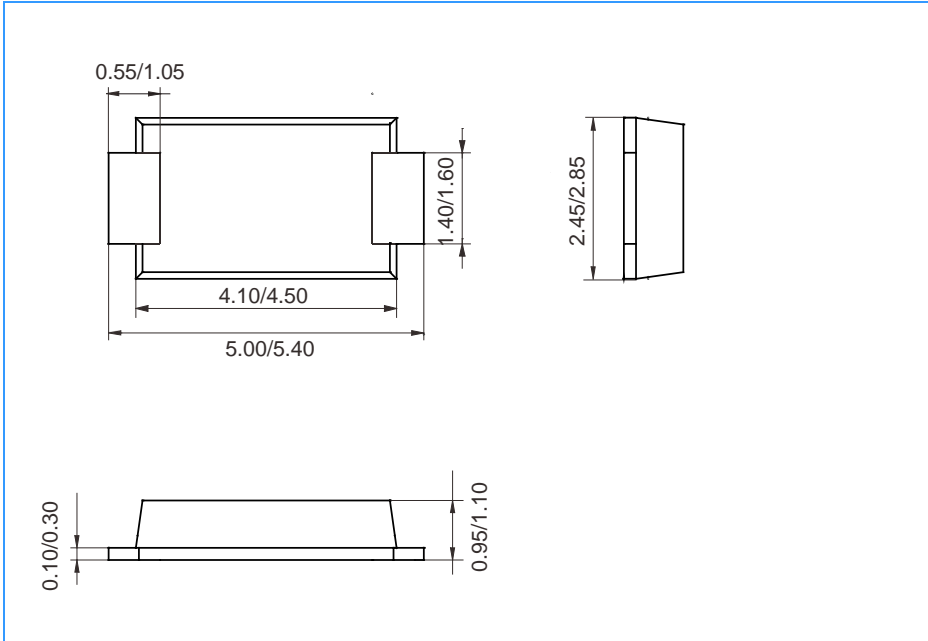
Fig.4- Typical Reverse Characteristic



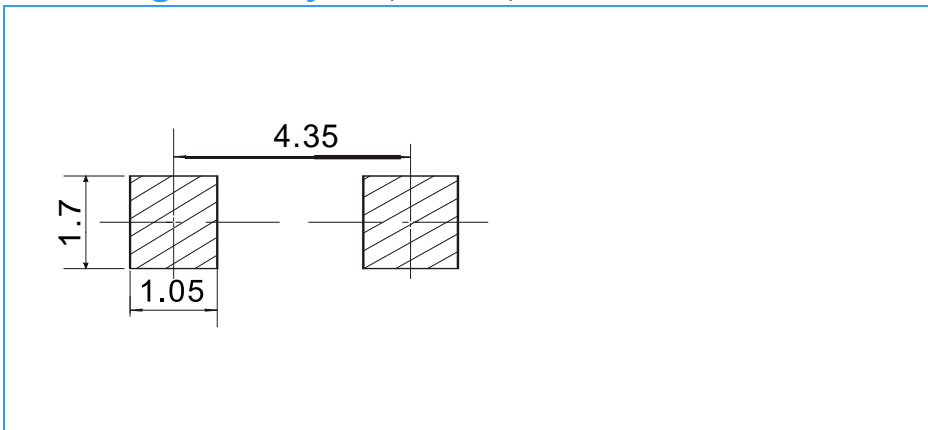
## Surface Mount Silicon Rectifiers

## S2DF--S2MF

### Package Outline Dimensions(unit:mm)



### Mounting Pad Layout(unit:mm)



### Ordering Information

Part No.	Marking	Package	Shipping
S2DF	S2DF	SMAF	10000 /Tape&Reel
S2GF	S2GF	SMAF	10000 /Tape&Reel
S2JF	S2JF	SMAF	10000 /Tape&Reel
S2KF	S2KF	SMAF	10000 /Tape&Reel
S2MF	S2MF	SMAF	10000 /Tape&Reel