

Surface Mount Rectifiers

P20JF--P20KF

Features

- Planar passivated chips
- Ultra low leakage reverse current
- High temperature performance
- High surge current capability
- RoHS Compliant
- Halogen Free



Mechanical Data

- Case: SMAF molded plastic
- Molding compound, UL flammability classification rating 94V-0
- Terminals: Solder plated, solderable per MIL-STD-202, Method 208
- Polarity: Color band denotes cathode end

Maximum Ratings (@T_A = 25°C unless otherwise specified)

Characteristic	Symbol	P20JF	P20KF	Units
Peak repetitive reverse voltage	V _{RRM}	600	800	V
RMS reverse voltage	V _{RMS}	420	560	V
DC blocking voltage	V _{DC}	600	800	V
Maximum average forward output current	I _{F(AV)}	2.0		A
Peak forward surge current, 8.3ms single half-sine-wave	@T _J = 25°C I _{FSM}	50		A

Thermal Characteristics

Parameter	Symbol	P20JF	P20KF	Units
Typical thermal resistance (Note 1)	R _{θJA}	78		°C /W
	R _{θJC}	18		
	R _{θJL}	20		
Operating junction temperature range	T _J	- 55 ---- + 150		°C
Storage temperature range	T _{STG}	- 55 ---- + 150		°C

Note:

1. Device mounted on PCB with 10 mm x 20 mm x 0.1mm copper pad areas

Surface Mount Rectifiers

P20JF--P20KF

Electrical Characteristics (@T_A = 25°C unless otherwise specified)

Parameter	Symbol	Test conditions	Typ.	Max.	Units	
Maximum instantaneous forward voltage	V _F	I _F =2.0A	--	1.0	V	
Maximum Reverse current	I _R	Rated V _R	@T _A =25°C	--	1	μA
			@T _A =150°C	--	50	

Surface Mount Rectifiers

P20JF--P20KF

Ratings and Characteristic Curves ($T_A=25^\circ\text{C}$ unless otherwise noted)

Fig.1-Forward Current Derating Curve

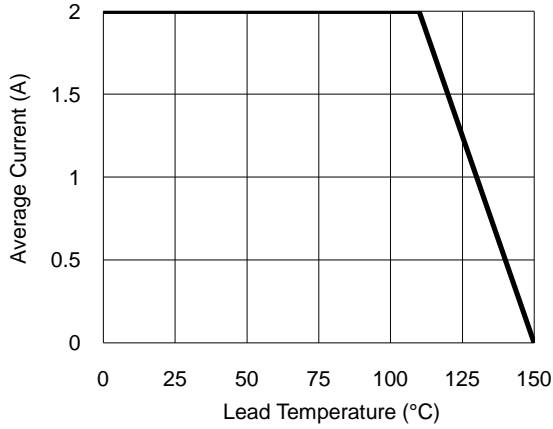


Fig.2- Surge Current Derating Curve

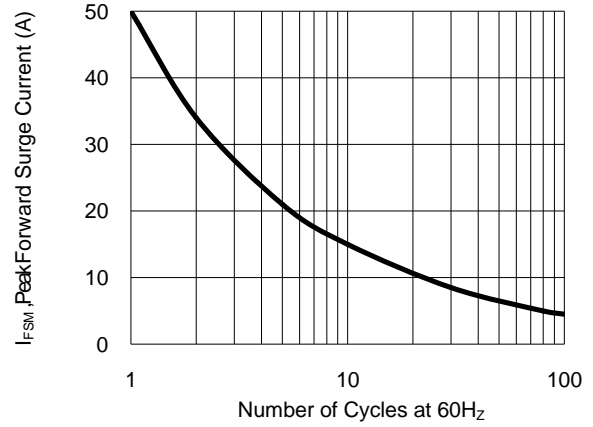


Fig.3- Typical Forward Voltage Characteristic

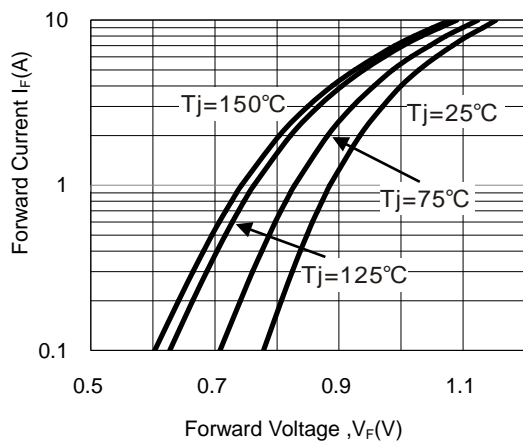
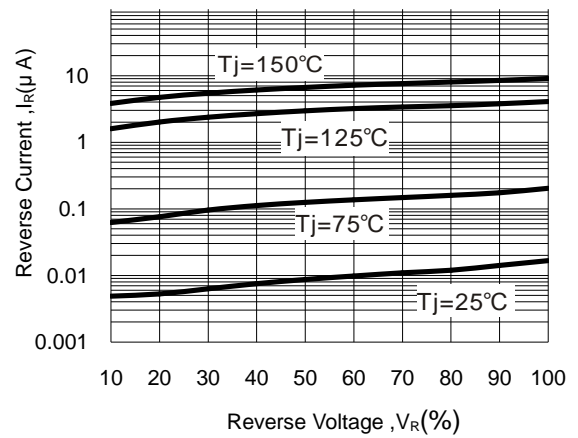


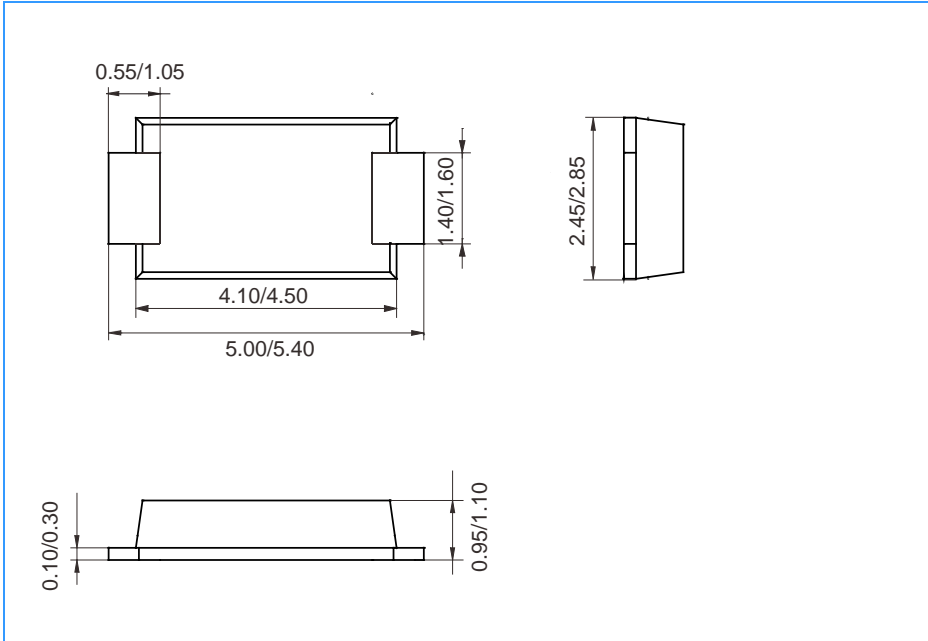
Fig.4- Typical Reverse Characteristic



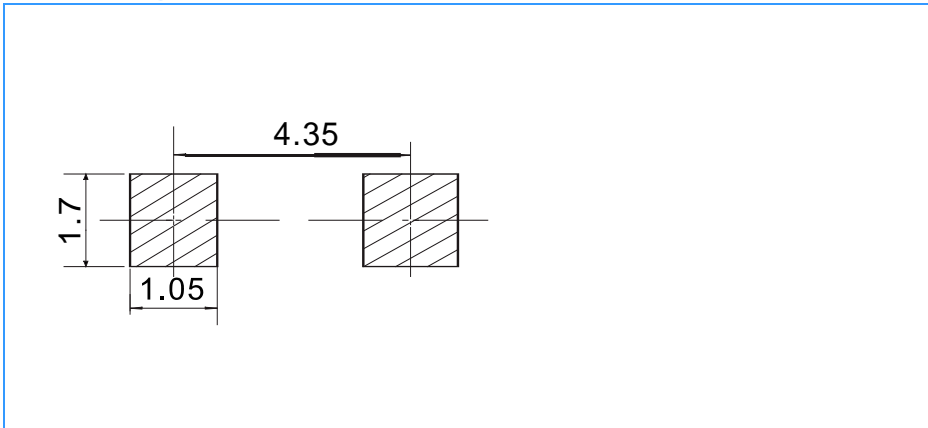
Surface Mount Rectifiers

P20JF--P20KF

Package Outline Dimensions(unit:mm)



Mounting Pad Layout(unit:mm)



Ordering Information

Part No.	Marking	Package	Shipping
P20JF	P20JF	SMAF	10000 /Tape&Reel
P20KF	P20KF	SMAF	10000 /Tape&Reel